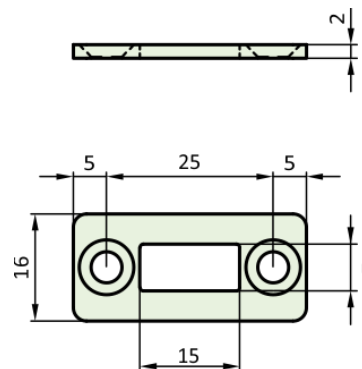


## PRODUCT FEATURES & TECHNICAL INFORMATION

- Floor mounted keep, suitable for use with our concealed (B85C) and face fixed (B85F) range of bolts
- Mounts flush to the floor where a door threshold is not used
- Use with B85C and B85F key-locking or B85CG and B85FG grubb screw range of bolts, use with all lengths (150mm, 300mm and 450mm) *including where bolt extensions have been fitted*
- Suitable for M4 countersunk or No. 6 wood fixing screws
- Available in solid natural brass along with several finishes or matching RAL finish on request

### B85PLT Floor Mounted Keep for Bolts



Dimensions